

715

Remote Fill Box Series: BOTTOM CONNECTION

Additional Options:

- 60" Post mount kit:
715---P060 AK
- Vapor recovery kits:
715---VR30 AK (3")
715---VR40 AK (4")
- Stand:
715---S400 AS
715S--S400 AS



Four-leg Stand
Powder-coated steel stand
for 7-gallon models

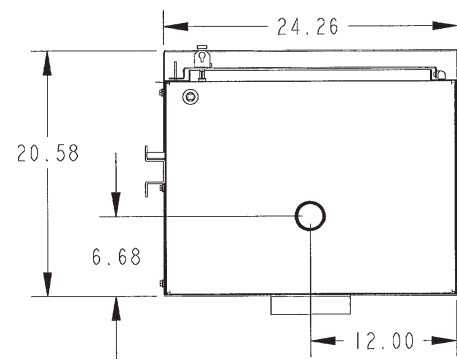


Post Mount
60" Post with cap,
base, and U-bolts



Vapor Recovery Kit

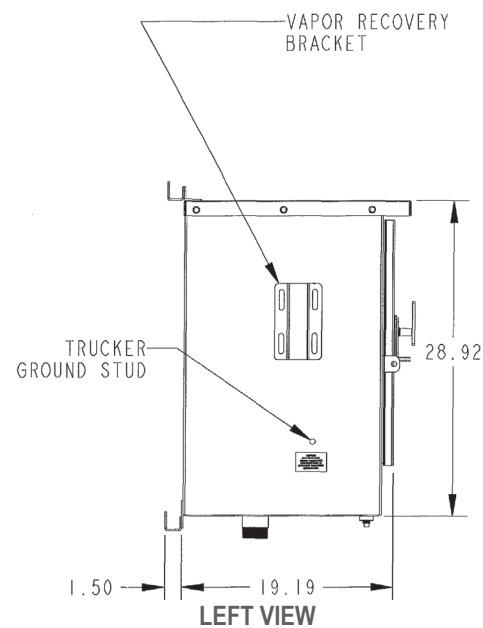
**2" model
dimensions**



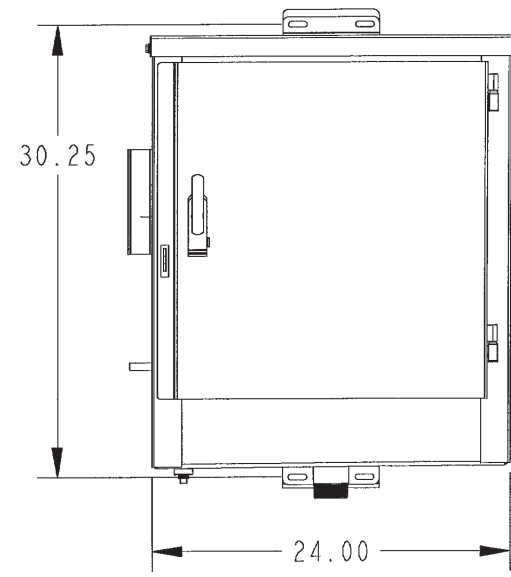
BOTTOM VIEW

3" model dimensions

Width = 24"
Height = 26.625"
Depth = 20.5"



LEFT VIEW



FRONT VIEW



Florida DEP EQ-787



CAN-ULC-S663-11

Features:

- 7-gallon (26.5 liter) capacity (3" models) and 10-gallon (37.85 liter) capacity (2" models)
- 14 gauge steel (powder coated white)
- Pad-lockable
- Integral grounding stud
- Vapor recovery mounting brackets
- Sloped bottom (right to left)
- Drain located in front

External Options

715--TB2
or
715--TB3



- ◆ 7-gallon (26.5 liter) capacity (3" models) and 10-gallon (37.85 liter) capacity (2" models)
- ◆ 14 gauge steel (powder coated white)
- ◆ 2" or 3" bottom connection
- ◆ On-wall flush mount

*See back page for dimensions.

← 715 - - T B 3 - 2 Q B B - 0 →

Model Number
Fill Box Construction
 - 7-gal. powder coated steel (2")
 - 10-gal. powder coated steel (3")

Mounting Style
 T Tank/Wall

Connection Location
 B Bottom

Connection Thread Size
 2* 2" Male NPT nipple
 3 3" Male NPT nipple

Component Size
 0 Box only
 2* 2" components
 3 3" components

* 3" to 2" transition between outlet fitting and ball valve.

Internal Options

Open
 0 Box only

Hand Pump Assembly

0 No hand pump assembly
 B Base Package*

* Hand Pump Assembly Base Package: Steel constructed hand pump with Teflon seals and Viton o-rings, reinforced polyurethane tubing, brass check valve and ball valve.

E E85 Package

* Hand Pump Assembly E85 Package: Steel constructed hand pump with Teflon seals and Viton o-rings, reinforced polyurethane tubing, stainless steel check valve and ball valve.

S Stainless Steel Package

* Hand Pump Assembly Stainless Steel Package: Stainless steel constructed hand pump with Teflon seals and Viton o-rings, reinforced polyurethane tubing, stainless steel check valve and ball valve.

B E



S



Ball Valve

0 Box only
 B Full port NPT ball valve with brass body, hard chrome plated ball & Teflon seals
 S Full port, locking, NPT ball valve with stainless steel body and ball, Teflon seals

B



691 Ball Valve

S



691BSS Ball Valve

Inlet Connection

0 Box only
 D Dry disconnect, hardcoated aluminum with stainless steel piston, Viton gaskets, and aluminum dust cap
 E Dry disconnect, stainless steel body and piston, Viton gasket, and stainless steel dust cap (only available in 2")
 Q 90° quick disconnect aluminum female coupler with brass check valve, Viton seals, and aluminum dust plug
 S 90° quick disconnect stainless steel coupler with check valve, Viton seals, and aluminum dust plug
 M 90° quick disconnect aluminum male adaptor with stainless steel check valve, Viton seals, and aluminum dust cap

Dry Disconnect

D



927

E



927S

Quick Disconnect

M



Q

S



† As of March 2018, please note that 2" Bottom Connection models are now 10-gallon capacities instead of 7-gallon. Measurements have also changed.

† 7-gallon 3" models are still in stock and will be used before transitioning into our new 10-gallon 3" models which will soon become standard.

Item Number	Size	Description	Weight (lbs)
715--TB2-0000-0	10 gal.	Bottom connection w/ no internal components	109.0
715--TB3-0000-0	7 gal.	Bottom connection w/ no internal components	108.0
715--TB2-2MBB-0	2"-10 gal.	Bottom connection w/2" AL male QD adaptor, BR ball valve, hand pump	
715--TB2-2QBB-0	2"-10 gal.	Bottom connection w/2" AL female QD coupler, BR ball valve, hand pump	
715--S400 AS		Four-leg stand, powder coated steel	
715S--S400 AS		Four-leg stand, stainless steel	

*Consult Price List for additional options.